

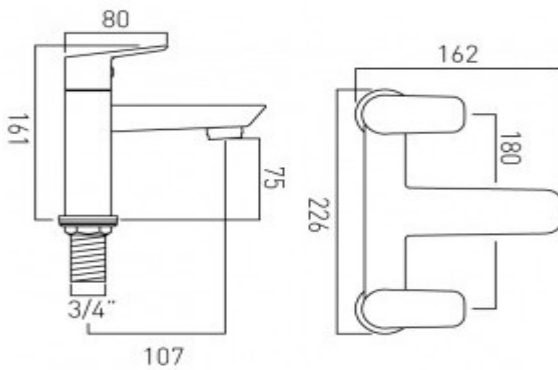


it's a personal experience
taps | showering | accessories

technical sheet
product code: PHO-137-C/P



technical drawing:



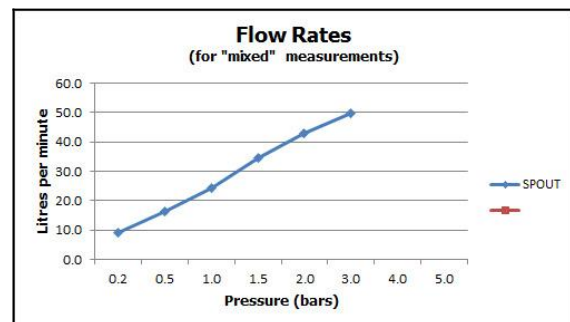
description: 2 hole bath filler
deck mounted
cold ceramic cartridge ION-VALVE/CD/CL-3/4
hot ceramic cartridge ION-VALVE/CD/HT-3/4
2 x 3/4" fitted tails
deck mount drill hole diameter 28-30mm

finishes: chrome

guarantee: 12 year guarantee

minimum operating pressure: 0.2 bar LP

flow rate at 3.0 bar flow pressure: 50 l/min



'mixed measurements' refers to equal hot and cold water supply
flow rate for unregulated flow unless flow regulator fitted as standard

certificates and awards:



cert no. 1603010