

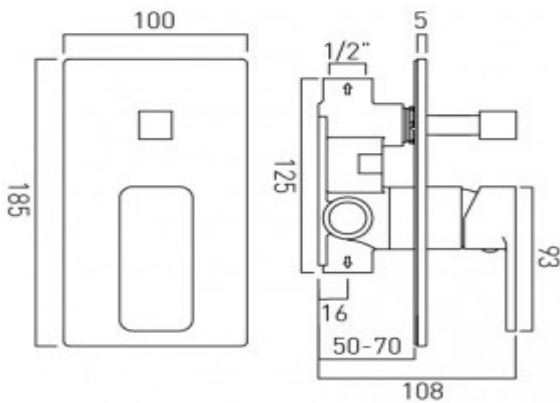


it's a personal experience
taps | showering | accessories

technical sheet
product code: PHA-147A-C/P



technical drawing:



description: concealed shower valve
with diverter
single lever
wall mounted
ceramic cartridge CAR-K35A
2 x 1/2" female inlets
2 x 1/2" female outlets
min-max wall mount 49-70mm
optimum installation depth 60mm

finishes: chrome

guarantee: 12 year guarantee

minimum operating pressure: 0.2 bar LP shower 1.5 bar MP bath

certificates and awards:



cert no. 1603027